

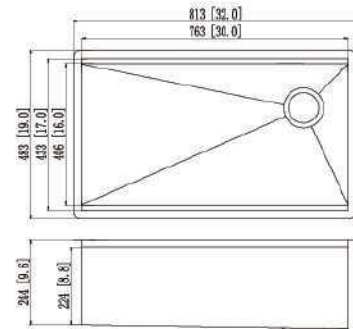


HANDCRAFTED WORKSTATION SINK



DIMENSIONS

32" x 19" x 10"



ACCESSORIES INCLUDED



Sink grid



Strainer & Basket



Basket



Drying rack



Cutting Board

<p>SURFACE FINISH</p> <p>BRUSHED SATIN FINISH</p>	<p>DRAIN HOLE SIZE</p> <p>3 1/2"</p>	<p>CORNER PROFILE</p> <p>R10 RADIUS 10mm</p>	<p>INSULATION</p> <p>COATED + RUBBER PADS</p>	<p>BOWL DEPTH</p> <p>10" SINGLE BOWL</p>	<p>INSTALLATION OPTIONS</p> <p>UNDERMOUNT</p>								
<p>MATERIAL</p> <p>Premium 18 gauge stainless steel with 18/10 chrome-nickel content. The 18% of chrome content provides durability, maximum protection against rust and a beautiful satin finish. The 10% of nickel content provides excellent strength and hardness.</p> <p>SUS 304 18 GAUGE STAINLESS STEEL</p>	<p>PRODUCT DIMENSIONS</p> <table border="1"> <tr> <td>Overall Dimensions</td> <td>32" x 19" x 10"</td> </tr> <tr> <td>Internal Dimensions</td> <td>30" x 17" x 10"</td> </tr> <tr> <td>Left Basin</td> <td></td> </tr> <tr> <td>Right Basin</td> <td></td> </tr> <tr> <td>Drain Opening Size</td> <td>3 1/2"</td> </tr> </table> <p>LUXURY BASKET STRAINER</p> <p>3 1/2" 1 1/2"</p>	Overall Dimensions	32" x 19" x 10"	Internal Dimensions	30" x 17" x 10"	Left Basin		Right Basin		Drain Opening Size	3 1/2"	<p>CABINET SIZE</p> <p>32 1/2"</p> <p>MINIMUM INTERNAL SIZE</p>	<p>GARBAGE DISPOSAL</p> <p>TOPAZ sinks have on standard 3 1/2" drain opening that can fit any garbage disposal unit. The sink structure is well designed to withstand any heavy garbage disposal unit.</p>
Overall Dimensions	32" x 19" x 10"												
Internal Dimensions	30" x 17" x 10"												
Left Basin													
Right Basin													
Drain Opening Size	3 1/2"												

<p>WARRANTY</p> <p>This product is covered by a limited lifetime warranty. Consult our website for complete details.</p>

<p>PRODUCT CARE</p> <p>Rinse and dry your sink with a clean soft cloth, working with, not a cross, the grain. We recommend the use of a mild solution of water and vinegar to remove any mineral deposits that may have built up on your sink. Use mild non-abrasive liquid cream cleaners that do not contain chlorine, sodium hypochlorite or hydrochloric acid to help maintain the original appearance of your sink. Ensure that you thoroughly rinse your sink and wipe it dry. We recommend the use of a stainless steel grid that fits inside the bottom of the sink bowl and protect the sink from scratches.</p>
--

<p>STANDARDS COMPLIANCE</p> <p>cUPC certified ISO 9001 certified</p>
